

**Strategic Behavior**

Fall, 2022.

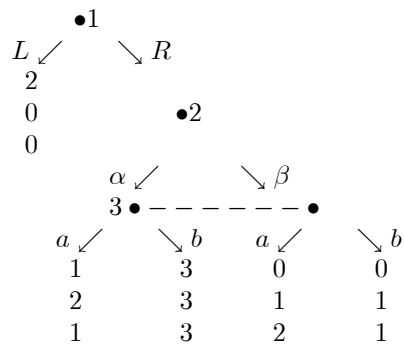
Problem Set 5

Due in class on Tuesday Nov 29.

From textbook: Do exercises 2.13, 2.17

[Both of these were worked out in class. I want you to write out the arguments clearly and cleanly.]

1. Consider the following extensive form with three players:



Can you identify a subgame perfect Nash equilibrium? Explain clearly.